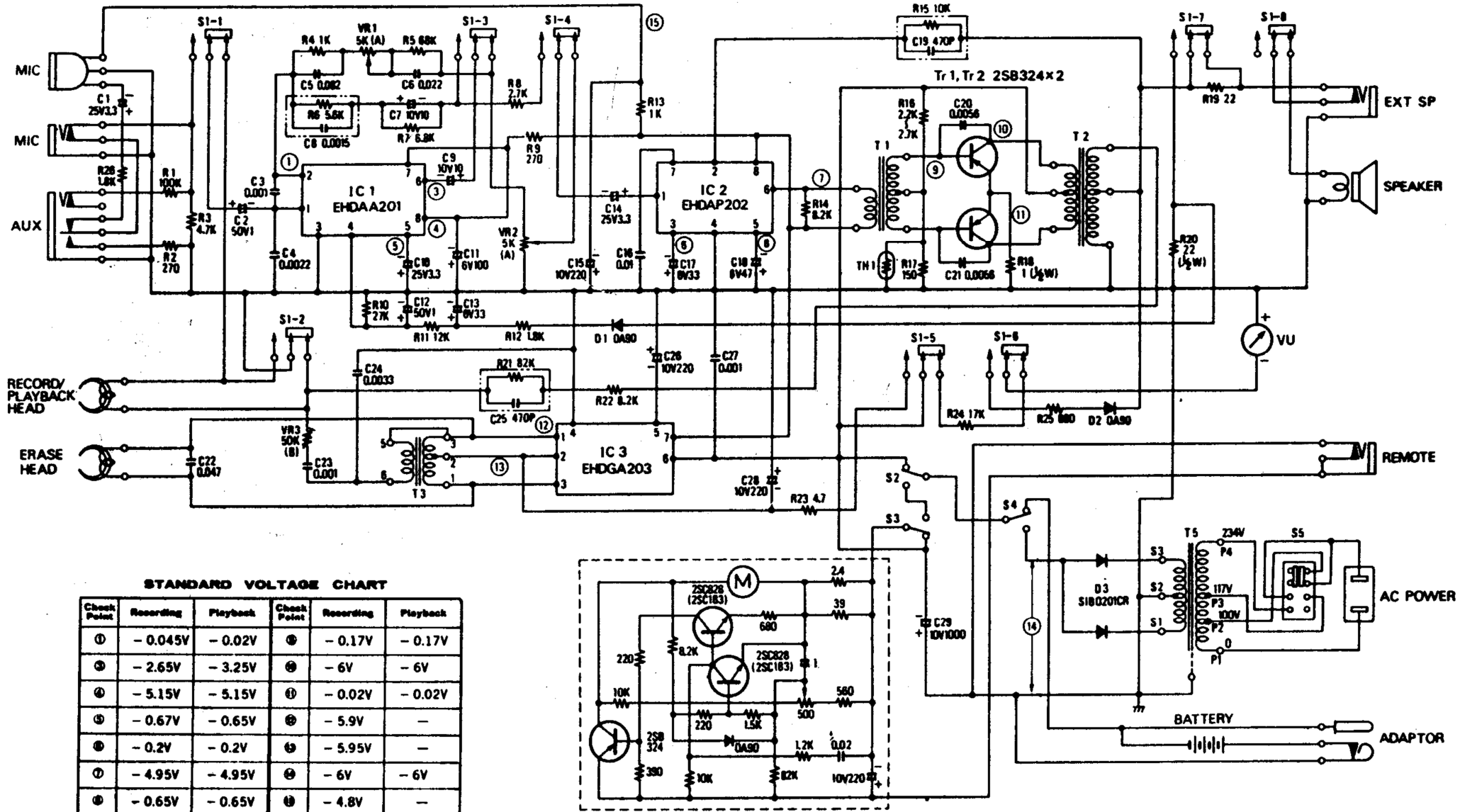




# SCHEMATIC DIAGRAM MODEL RQ-222AS

Mod. RQ-222 AS



### STANDARD VOLTAGE CHART

Check Point	Recording	Playback	Check Point	Recording	Playback
①	- 0.045V	- 0.02V	⑥	- 0.17V	- 0.17V
②	- 2.65V	- 3.25V	⑦	- 6V	- 6V
③	- 5.15V	- 5.15V	⑧	- 0.02V	- 0.02V
④	- 0.67V	- 0.65V	⑨	- 5.9V	-
⑤	- 0.2V	- 0.2V	⑩	- 5.95V	-
⑥	- 4.95V	- 4.95V	⑪	- 6V	- 6V
⑦	- 0.65V	- 0.65V	⑫	- 4.8V	-

NOTE: All measurements are under no signal conditions with volume at minimum position.  
Use M-type VTVM for AC voltage measurements and P-type VTVM for DC voltage measurements.

### NOTE:

- S1-1~S1-8 ..... Record/Playback Selector Switch (Shown in playback position).
- S2 ..... Power Switch (Coupled with playback button).
- S3 ..... FF/Rewind Switch.
- S4 ..... AC/DC Selector Switch (Coupled with AC Jack).
- S5 ..... AC Voltage Selector Switch (Shown in 100V position).

- Resistors are ohm ( $\Omega$ ), 1/4 watt unless specified otherwise. K=1,000 $\Omega$ , M 1,000,000 $\Omega$ .
- Capacitors are microfarad ( $\mu$ F) unless specified otherwise. P=Micro-microfarad.
- Encircled numbers ( ) show the checkpoints for voltage. The values are marked in the standard voltage chart.